



MP 970

GENERAL TECHNICAL CHARACTERISTICS

Structure: enamelled steel frame, closed firebox
 Baffle: in cast iron
 Firebox: in cast iron
 Brazier: in steel
 Opening: cast iron door with self-cleaning ceramic glass resistant up to 750°C
 Door handle: hide away and detachable
 Functions: LCD remote control and Multifunction settings additional control unit
 Timer/thermostat: standard, allows split times for daily, weekly and weekend programs
 Flue outlet: rear
 Ash pan: removable
 Fuel: pellet
 Heating: forced ventilation through Multifuoco System® with Dual Power, radiant and natural convection

TECHNICAL DATA

Room heating capacity	m ²	255-435
Nominal thermal efficiency	%	83,9
Rated heat output (min-max)	kW	3,3 - 15,1
Consumption at rated heat output (min-max)	Kg/h	0,8 - 4,2
Power settings		5
Hopper capacity	Kg	60
Flue outlet	Ø cm	8
Fresh air intake (recomm. min sect.)	Ø cm ²	100
Electric supply	Hz	230 - 50
Electric power consumption	W	150
Weight	Kg	180

ON REQUEST

- Remote Control System kit

Laboratory data using beech pellet with calorific potential of 5 kWh/kg. Consumptions may vary according to the dimensions and the type of pellets used.



The availability of models may vary from Country to Country.

Full technical data available in pdf



DoP product



DoP product



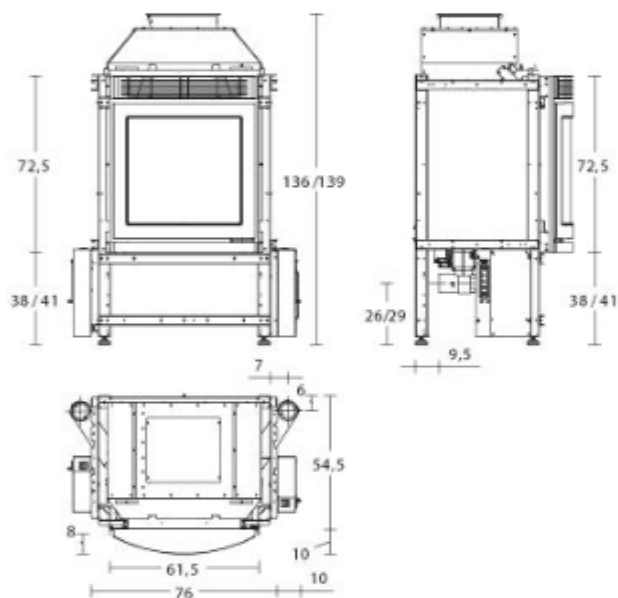
DoP Metal Connecting Flue Pipes



DoP Metal Connecting Flue Pipes

Compatible Cover

TECHNICAL DRAWING



Poichè l'azienda è costantemente impegnata nel continuo perfezionamento di tutta la sua produzione, le caratteristiche estetiche e dimensionali, i dati tecnici e gli accessori possono essere soggetti a variazione.

Numero Verde
800-842026
www.piazzetta.it

 **PIAZZETTA**
PASSIONE ACCESA