

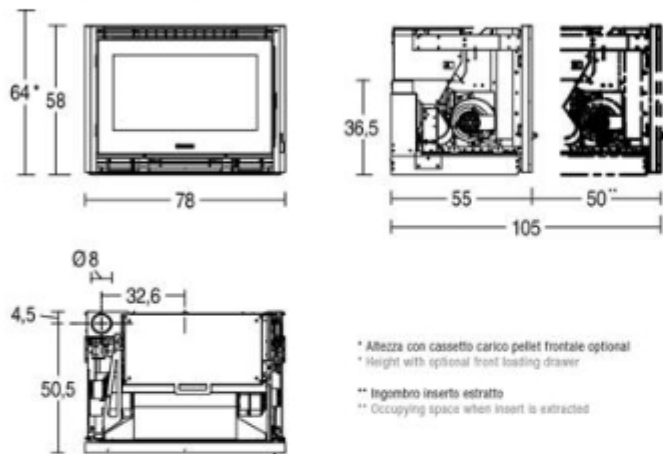


## IP 78/58

### GENERAL TECHNICAL CHARACTERISTICS

Structure: enamelled steel with closed firebox on sliding tracks  
 Firebox: In cast iron  
 Brazier: In steel  
 Opening: cast iron door with self-cleaning ceramic glass resistant up to 750°C  
 Door handle: hide away and detachable  
 Functions: LCD remote control and Multicomfort settings, additional control unit  
 Timer/thermostat: standard, allows split times for daily, weekly and weekend programs  
 Fuel: pellet  
 Heating: forced ventilation through Multiflueo System® with Dual Power, radiant and natural convection

### TECHNICAL DRAWING



### TECHNICAL DATA

Room heating capacity	m <sup>2</sup>	150 - 260
Nominal thermal efficiency	%	85,1
Rated heat output (min-max)	kW	3,2-9,0
Consumption at rated heat output (min-max)	Kg/h	0,9 - 2,3
Power settings		5
Hopper capacity	Kg	13
Flue outlet	Ø cm	8
Fresh air intake (recomm. m in sect.)	Ø cm <sup>2</sup>	100
Electric supply	Hz	230 - 50
Electric power consumption	W	130
Weight	Kg	120

### ON REQUEST

- Coupling for warm air ducting
- Front pellet loading kit
- Front, side and additional hopper pellet loading kit
- Legs kit

Laboratory data using beech pellet with calorific potential of 5 kWh/kg. Consumptions may vary according to the dimensions and the type of pellets used.



The availability of models may vary from Country to Country.

Full technical data available in pdf



DoP product



DoP Metal Connecting Flue Pipes

Compatible Cover

EA SY